

# RAILSHADE

## Order Form and Product Guide

Customer \_\_\_\_\_  
 Address \_\_\_\_\_  
 \_\_\_\_\_  
 \_\_\_\_\_

Tel \_\_\_\_\_  
 Fax \_\_\_\_\_  
 Mobile \_\_\_\_\_  
 Email \_\_\_\_\_

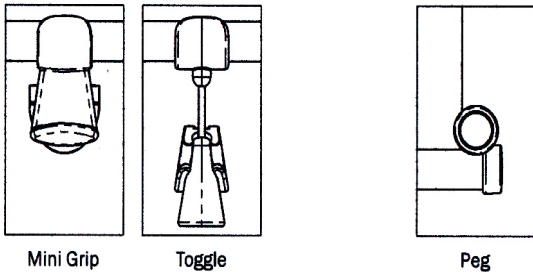
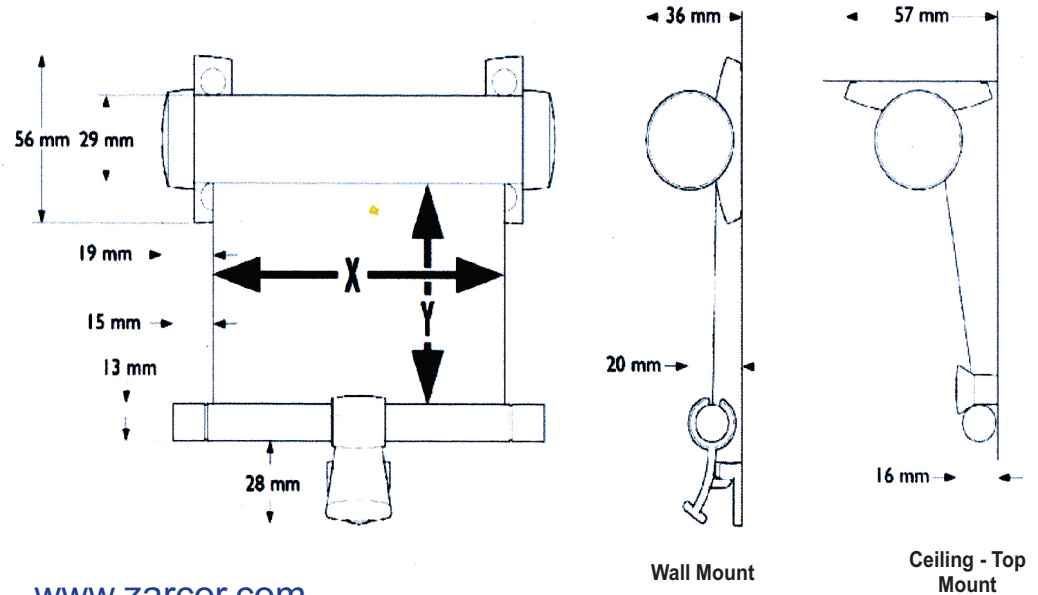
Order  Quote   
 Project Name \_\_\_\_\_  
 Project Location \_\_\_\_\_  
 Date \_\_\_\_\_

Window ID	Location	Dimension Info			Fabric	Housing Colour	Hold Down Options	Additional Pegs Required	Mounting	Qty
		Overall width (Z)	Fabric Width (X) <sup>2</sup>	Fabric Drop (Y) <sup>3</sup>						
					Solar White Shield <input type="checkbox"/>	Silver Anodized <input type="checkbox"/>	Mini Grip <input type="checkbox"/> Toggle <input type="checkbox"/>  Pegs <input type="checkbox"/>	Qty _____	Wall <input type="checkbox"/> Ceiling - Top <input type="checkbox"/>	
					Solar White Shield <input type="checkbox"/>	Silver Anodized <input type="checkbox"/>	Mini Grip <input type="checkbox"/> Toggle <input type="checkbox"/>  Pegs <input type="checkbox"/>	Qty _____	Wall <input type="checkbox"/> Ceiling - Top <input type="checkbox"/>	

1. Please provide 'X' and 'Y' measurement.
2. Width: Min 300 mm (11<sup>3/4</sup>" ) - Max 1219mm 48" in standard fabric.
3. Maximum drop is dictated by product: 24-1/8" or 34-1/8"

4. Standard fabric is Solar Shield White, for other fabrics see fabric collection.

\* Blinds over 800 mm (31<sup>1/2</sup>" ) wide have two handles (All dimensions converted to the nearest 1/8". If sizes are critical, please use metric measurements)



[www.zarcor.com](http://www.zarcor.com)

4400 Sunbelt Dr.  
 Addison, TX 75001  
 972-380-8724 (fax)972-407-9096