

CloZures Estimate Worksheet

Instructions

Questions? Call 972-380-8724 or 800-877-4797

1. Take a picture of the door.
2. Make a sketch of your door. Follow example.
3. Fill in the required information. To acquire pricing, use our Price Calculator or follow our Pricing Table.
4. Mail or email the worksheet and picture(s) to:

Mail: Zarcor, 4400 Sunbelt Drive, Addison TX 75001

Email: pics@zarcor.com

We will respond as soon as we review your information.

Name _____

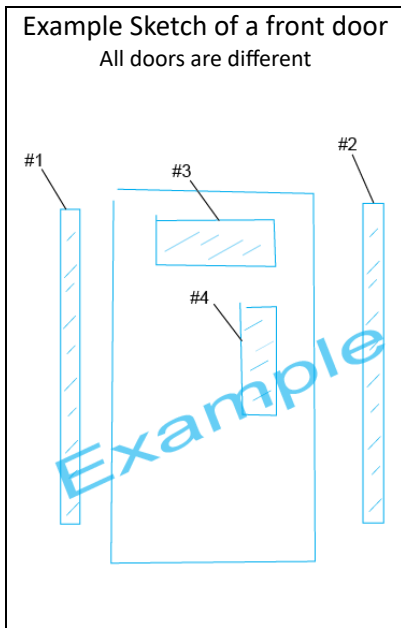
Address _____

City _____

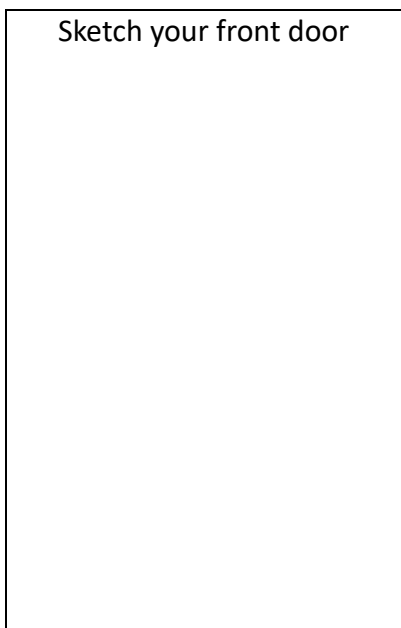
State _____ ZIP _____

Phone _____ Alt Phone _____

Email _____



Window #1	Width 3"	x	Height 48"	=	Square inches 144	Price \$60.10	Color <input type="checkbox"/> Light Beige <input type="checkbox"/> White <input type="checkbox"/> Room Darkening
Window #2	Width 3"	x	Height 48"	=	Square inches 144	Price \$60.10	Color <input type="checkbox"/> Light Beige <input type="checkbox"/> White <input type="checkbox"/> Room Darkening
Window #3	Width 24"	x	Height 7"	=	Square inches 168	Price \$75.10	Color <input type="checkbox"/> Light Beige <input type="checkbox"/> White <input type="checkbox"/> Room Darkening
Window #4	Width 4"	x	Height 18"	=	Square inches 72	Price \$46.40	Color <input type="checkbox"/> Light Beige <input type="checkbox"/> White <input type="checkbox"/> Room Darkening



Window #1	Width	x	Height	=	Square inches	Price	Color <input type="checkbox"/> Light Beige <input type="checkbox"/> White <input type="checkbox"/> Room Darkening
Window #2	Width	x	Height	=	Square inches	Price	Color <input type="checkbox"/> Light Beige <input type="checkbox"/> White <input type="checkbox"/> Room Darkening
Window #3	Width	x	Height	=	Square inches	Price	Color <input type="checkbox"/> Light Beige <input type="checkbox"/> White <input type="checkbox"/> Room Darkening
Window #4	Width	x	Height	=	Square inches	Price	Color <input type="checkbox"/> Light Beige <input type="checkbox"/> White <input type="checkbox"/> Room Darkening